

C-Series Padlock

Professional High Security

Single Pin



Application

High Security padlock for general use.

Operation

Rotate key 55° to unlock.

Options

Variety of pin lengths
Black or nickel finish

Materials

Shell: hardened steel
Core: black plated solid brass
Locking pin: hardened steel alloy

Additional features

- Protective shutter prevents dust contamination.
- Drainage holes prevent freezing.

Cylinder mechanism

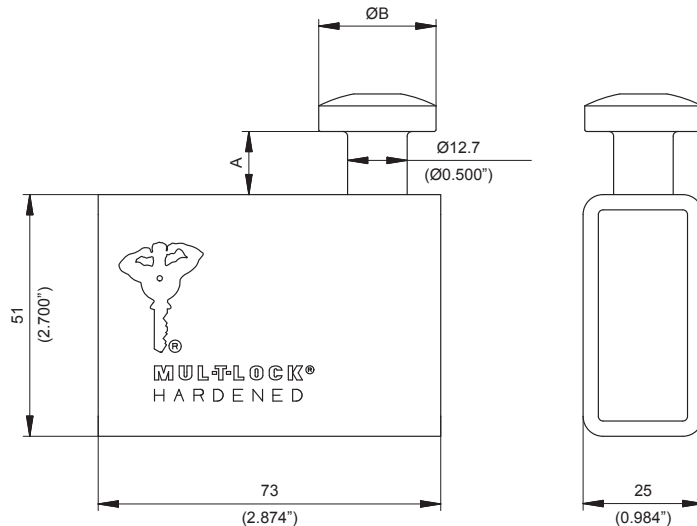
Mul-T-Lock's unique high precision pin tumbler system. Pick and drill resistant for High Security needs.

Keys

Reversible nickel silver key with plastic key head and colored insert for identification. Also available in all nickel silver.

Cylinder options

- Classic, Interactive®, MT5® platforms
- Keyed different, keyed alike
- Master keyed
- '3 IN 1' (changeable combination)



	A		B	
	mm	Inch	mm	Inch
L13	6	0.236	25	0.984
L10	10	0.393	25	0.984
L1	13	0.511	25	0.984
L8	13	0.511	30	1.181
L2	15	0.590	25	0.984
L3	21	0.826	25	0.984
L7	31	1.220	25	0.984
L4	35	1.377	25	0.984
L5	47	1.850	25	0.984
L6	80	3.149	25	0.984

