

# Lock for Key Deposit Box

## Application

Lock for key deposit box.

## Operation

90° cam rotation by operating key.

## Materials

Body and plug: brass

Cam and housing: steel

Pins: nickel silver and stainless steel

## Standard finish

Nickel satin

## Cylinder mechanism

Mul-T-Lock's unique, high precision pin tumbler system. Pick and drill resistant for High Security needs.

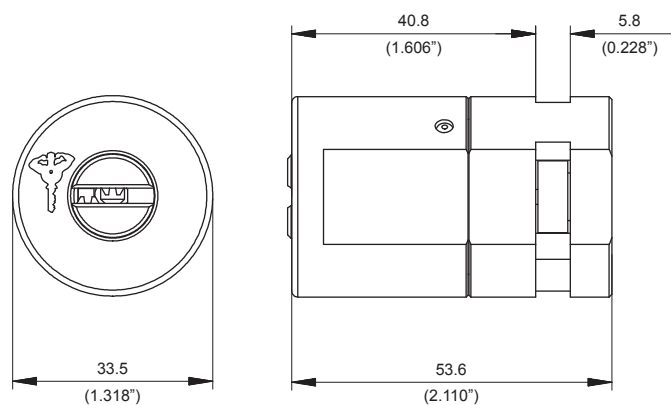
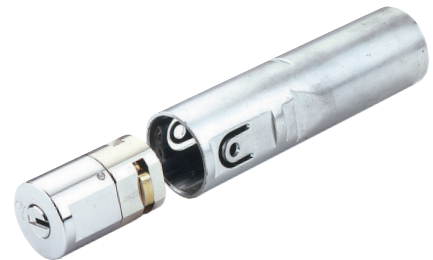
## Keys

Reversible nickel silver key with plastic key head and colored insert for identification. Also available in all nickel silver.

## Cylinder options

- Classic, Interactive®, MT5® platforms
- Keyed different, keyed alike
- Master keyed
- '3 IN 1' (changeable combination)

## Lock and housing



Available as a set of lock and housing, or lock only (retrofit for Abloy locks).