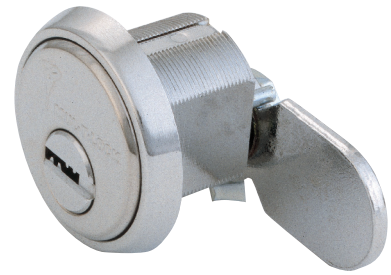


Cam Lock

Ø29 mm (1 1/8")



Applications

Mul-T-Lock cam locks are available in various sizes, making them suitable for a wide range of applications.

Operation

90° cam rotation. Adjustable for clockwise or counter-clockwise operation.

Materials

Body, plug and ring: brass
Cam: steel
Pins: nickel silver and stainless steel

Standard finish

Nickel chrome matt, shiny brass, nickel chrome

Special finishes

Antique brass

Cylinder mechanism

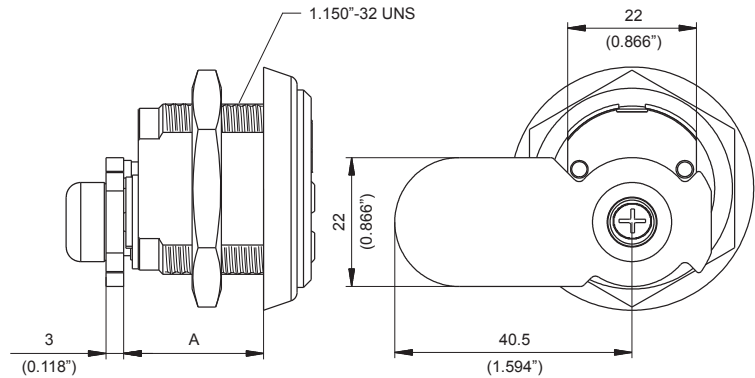
Mul-T-Lock's unique, high precision pin tumbler system. Pick and drill resistant for High Security needs.

Keys

Reversible nickel silver key with plastic key head and colored insert for identification. Also available in all nickel silver.

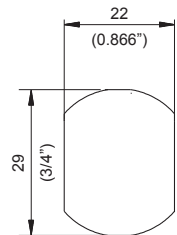
Cylinder options

- Classic, Interactive®, MT5® platforms
- Keyed different, keyed alike
- Master keyed
- '3 IN 1' (changeable combination)



	mm	Inch	Chambers
A	24	0.994	4
	28.8	1.133	5

Opening required for installation



Spacer ring (standard mortise ring)

	mm	Inch
B	5.7	0.224
	8.9	0.350
	12.2	0.480
	15.5	0.610

