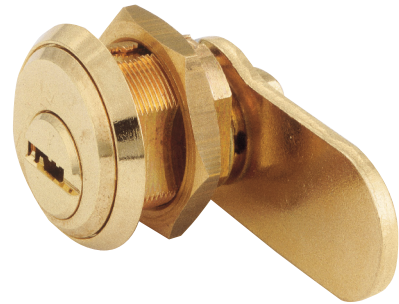


Cam Lock

Ø22 mm (7/8")



Applications

Mul-T-Lock cam locks are available in various sizes, making them suitable for a wide range of applications: cabinets, drawers, parking meters, lockers, cash boxes, payphones etc.

Operation

90° cam rotation. Adjustable for clockwise or counter-clockwise operation.

Materials

Body, plug and ring: brass
 Cam: steel
 Pins: nickel silver and stainless steel

Standard finishes

Nickel satin, brass

Cylinder mechanism

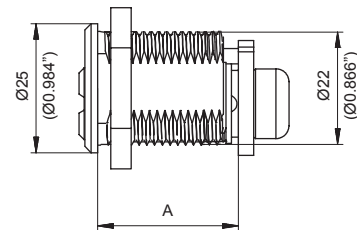
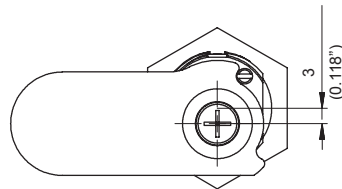
Mul-T-Lock's unique, high precision pin tumbler system. Pick and drill resistant for High Security needs.

Keys

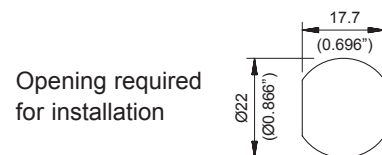
Reversible nickel silver key with plastic key head and colored insert for identification. Also available in all nickel silver.

Cylinder options

- Classic, Interactive®, MT5® platforms
- Keyed different, keyed alike
- Master keyed
- '3 IN 1' (changeable combination)

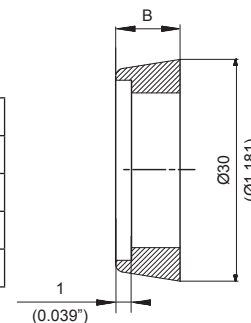


	mm	Inch	Chambers
A	22.5	0.885	4
	27.3	1.075	5
	38.3	1.5	5

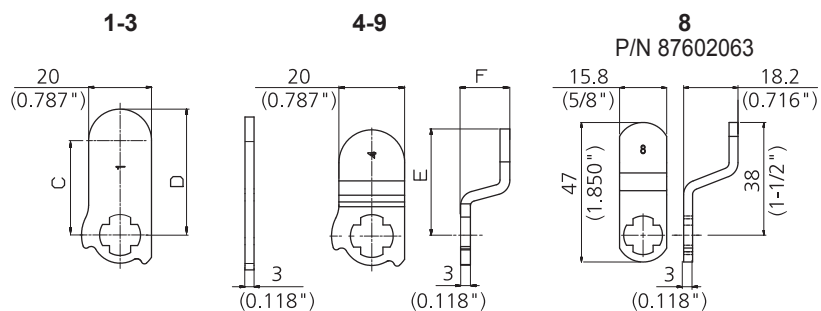


Spacer ring

	mm	Inch
B	2	0.078
	3	0.118
	4	0.157
	8	0.275



Cams available



P/N	C	D	Marking
87602005	30	40	1
87602126	44	54	2
51056090	90	100	3

P/N	E	F	Cam
87602129	32	15	4
87602174	27.8	15	5
87602171	35.3	11.7	6
87602187	27.8	18	9

