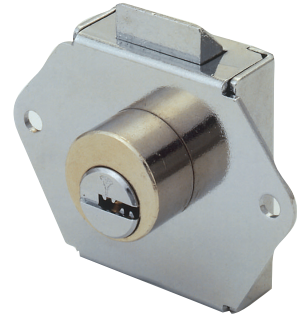


Drawer Latch Lock



Application

Securing drawers and small cabinets.

Operation

- 45° rotation by operating key
- Slam locking mechanism

Options

Two latch sizes available.

Materials

Body and plug: brass
 Lock case: steel
 Latch: cast zinc alloy
 Pins: nickel silver and stainless steel

Standard finishes

Brass, nickel satin, shiny brass

Cylinder mechanism

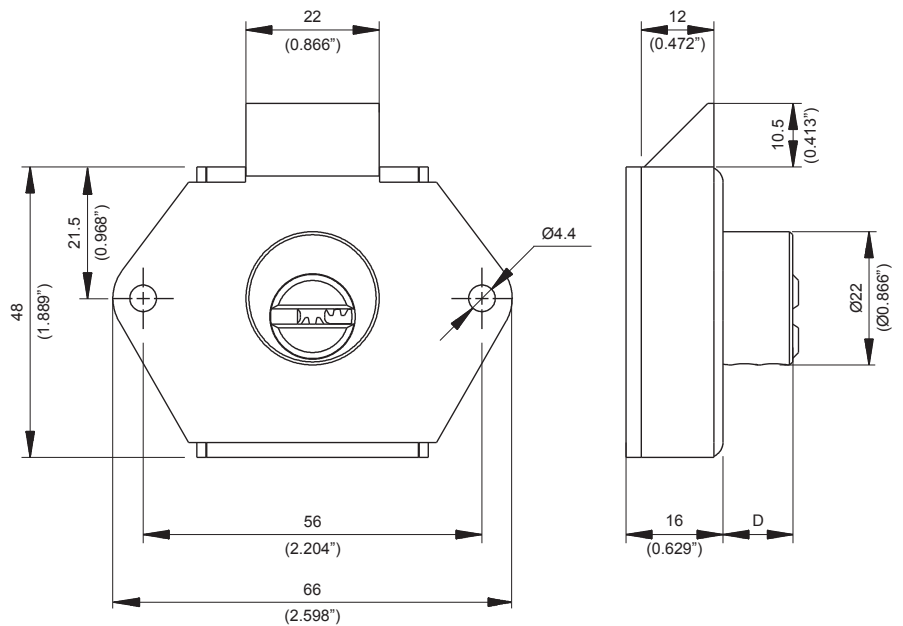
Mul-T-Lock's unique high precision pin tumbler system. Drill resistant for High Security needs.

Keys

Reversible nickel silver key with plastic key head and colored insert for identification. Also available in all nickel silver.

Cylinder options

- Classic, Interactive®, MT5® platforms
- Keyed different, keyed alike
- Master keyed



| Type | | D | Chambers |
|------------|------|-------|----------|
| Regular | mm | 11.5 | 4 |
| | Inch | 0.452 | |
| Heavy duty | mm | 21.5 | 5 |
| | Inch | 0.846 | |

